



The SolarSheat 1500G - Wall Mount Installation Manual

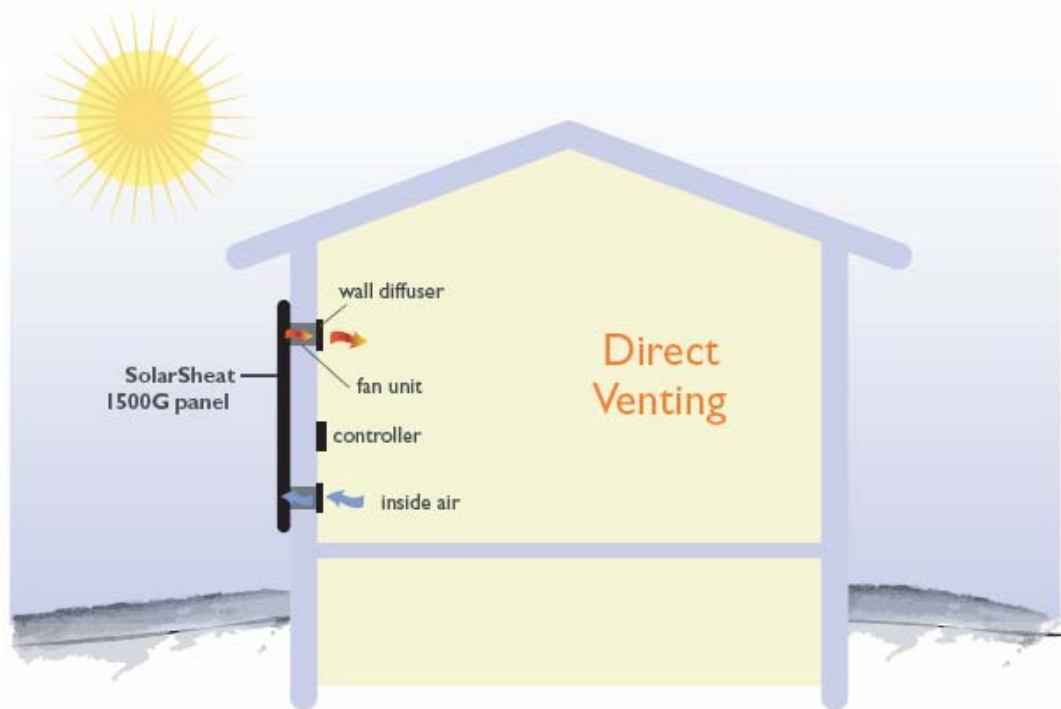
**By
Your Solar Home, Inc.**

Version 2.3
December 19, 2007

*All building, plumbing, electrical, and safety codes supersede the instructions in this manual.
The manufacturer assumes no liability for improper installation. Use this manual at your own risk.*

How it works: The SolarSheat 1500G panel heats inside air. The amount of heat produced is based on the volume of air passing through the solar panels and the degree of sunshine. The SolarSheat is a supplemental heating system. It does not work at night. No AC electricity is required.

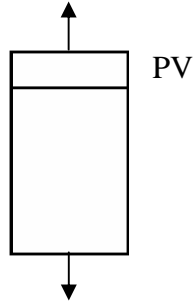
Direct Venting into a Room - SolarSheat 1500G



Equipment for proper installation:

- For aluminum, vinyl, or wood siding – preferably a 5-1/4" hole saw, or jig saw – bi-metal blade if necessary, for ducts' holes
- For aluminum, vinyl, or wood siding – Drill
- For aluminum, vinyl, or wood siding – 1/4" drill bit for thermostat wire, and for ducts' pilot hole, longer than the wall thickness
- For masonry wall – preferably a 5-1/4" core drill or a 1/4" masonry drill bit for making duct holes, ~6" long
- For masonry wall – 1/4" masonry drill bit for thermostat wire, ~6" long
- a 1/4" masonry drill bit for thermostat wire and for making duct holes, ~6" long
- For masonry wall – hammer drill
- For masonry wall – prying tool to remove brick/concrete pieces
- For 4" walls – duct crimping tool to crimp backdraft damper edge
- Screws for attaching wall mounts to wall surface.
- 3/8" driver bit for installing Tek screws
- Socket (square) driver bit for round diffuser screws
- Tape or staple gun for holding the template on the wall
- Outdoor sealant – high quality outdoor silicon or outdoor polyurethane sealant
- Caulk gun
- Measuring Tape
- Dust Pan/Vacuum & Flat Shovel or Broom to clean up
- Level
- Stud finder – for locating studs
- Clean rags – temporarily needed only to stop drywall/wood dust from entering collector if house is under construction, turn off thermostat. Remove & turn on thermostat when construction is complete & construction dust has been cleaned up.

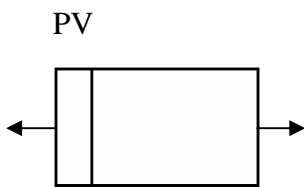
The SolarSheat can be mounted “Landscape” style, or “Portrait” style, as shown below.



“Portrait” Style,
PV side
on top only.



SolarSheat 1500G. Location: Vermont



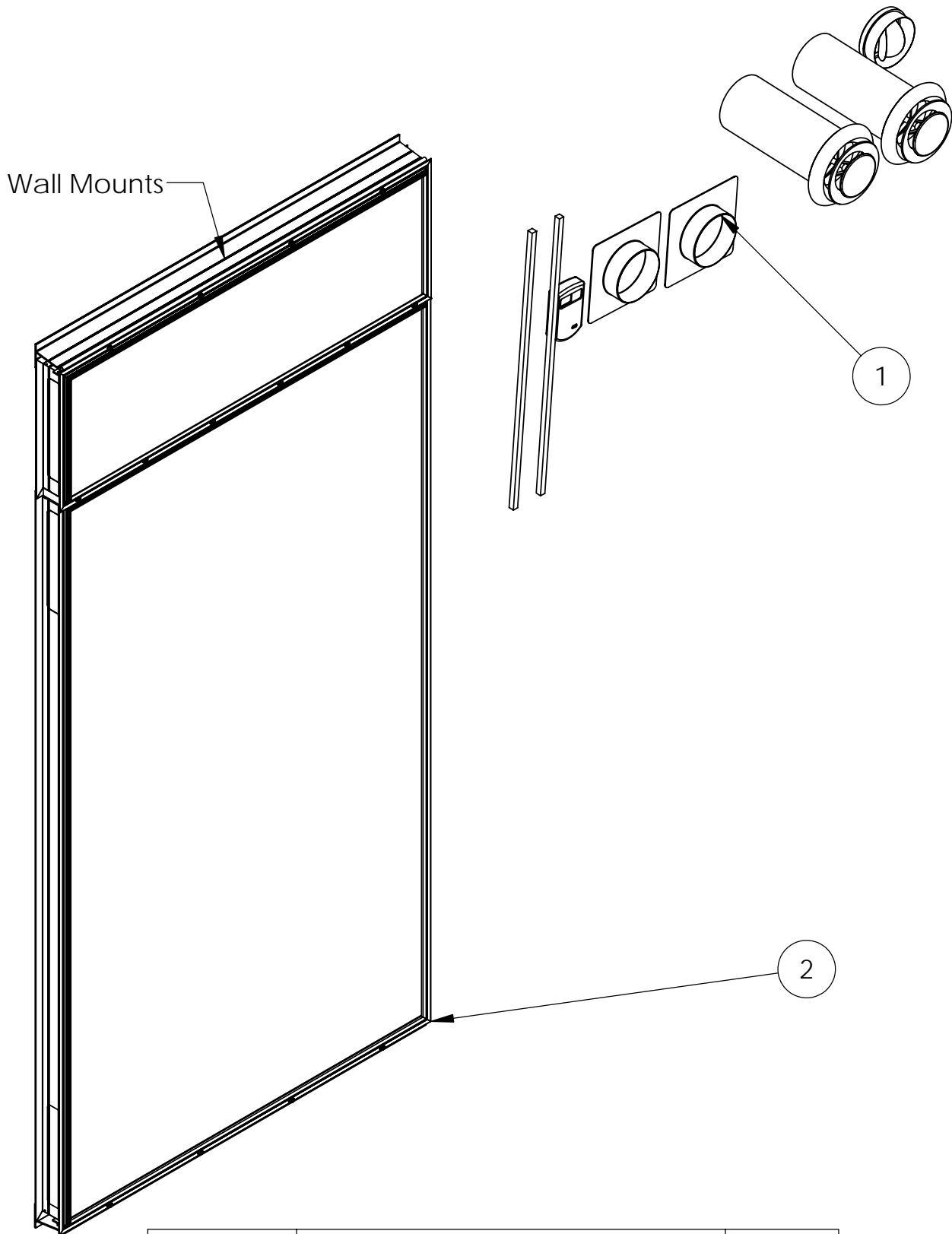
“Landscape” Style,
PV on the left or
right side



Asquith Cabin
Westcliffe, Colorado, USA

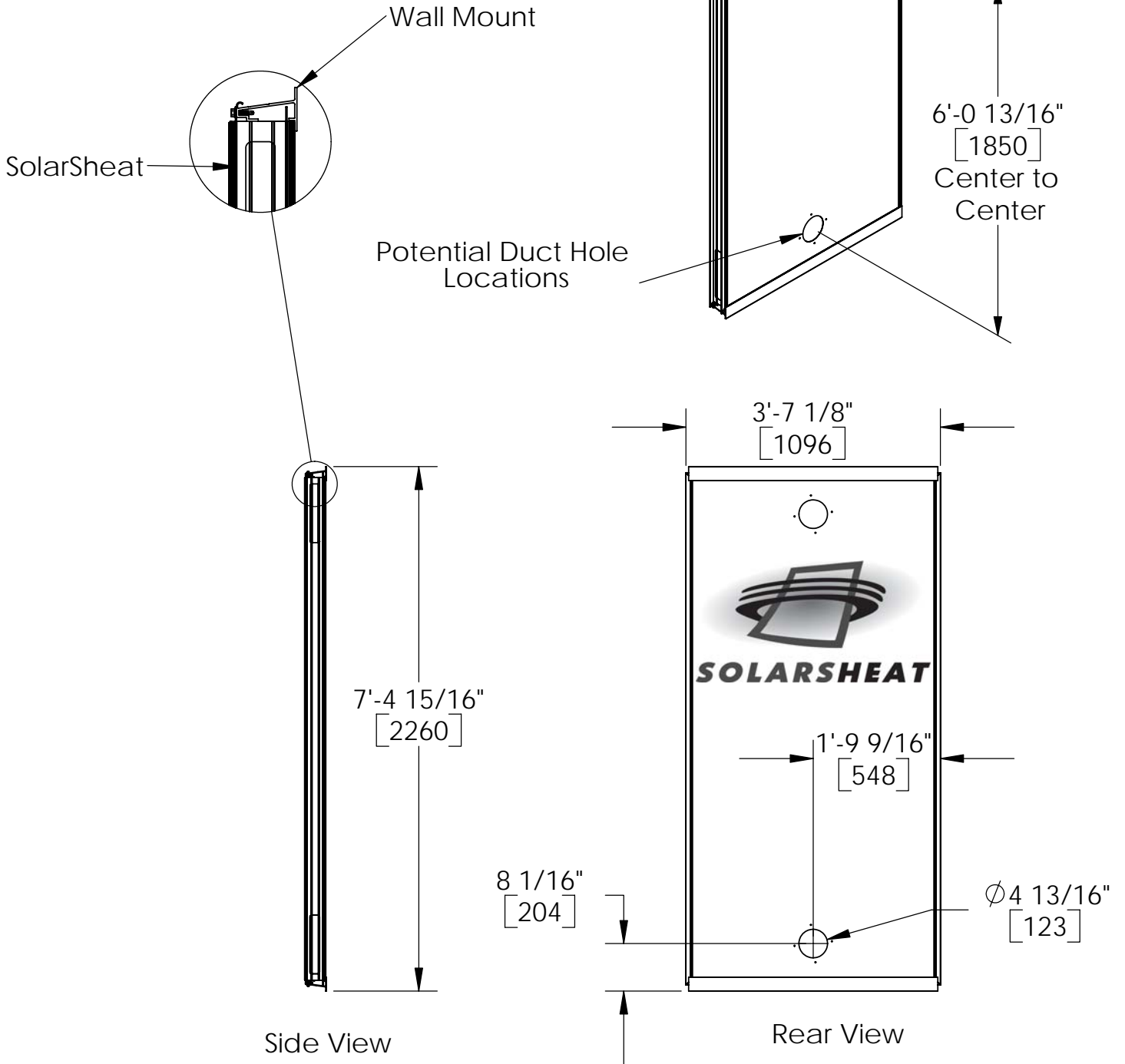
Part 1001

1500G Collector and 1500G-GS duct kit



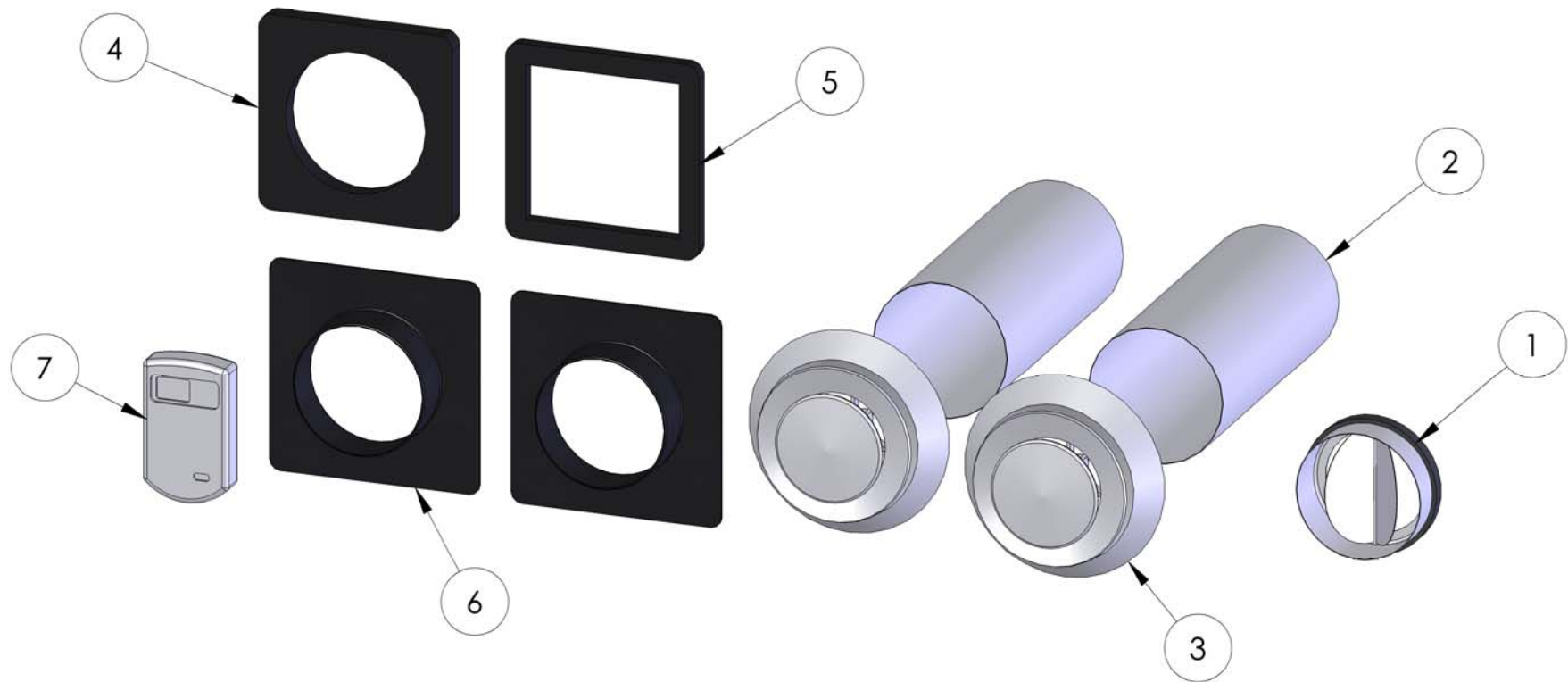
ITEM NO.	DESCRIPTION	QTY.
1	Duct Kit 1500G-GS	1
2	SolarSheat 1500G	1

SolarSheat 1500G & GS Overall Dimensions Diagram

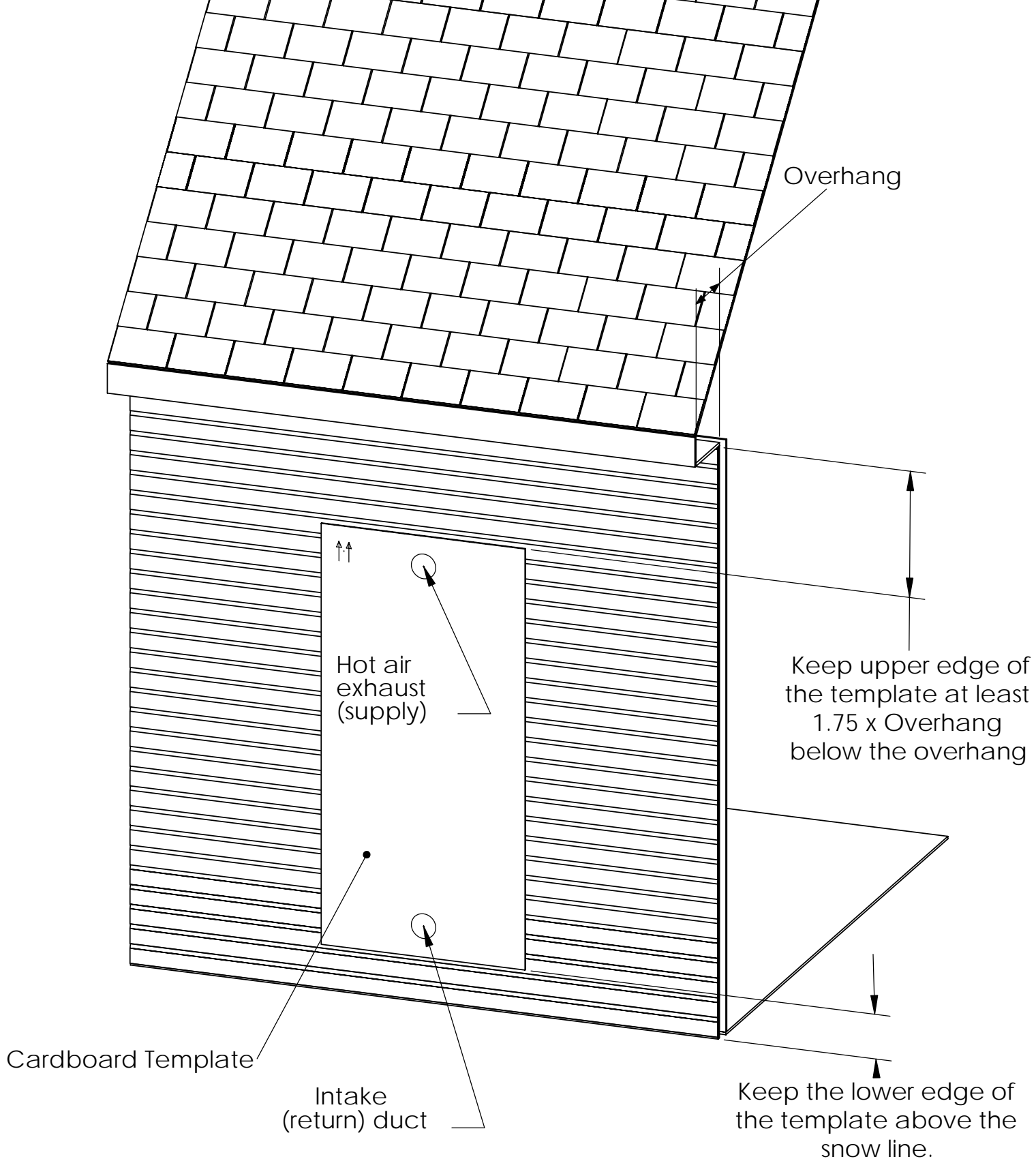


Duct Kit 1000G/1500G-GS - Part 1017

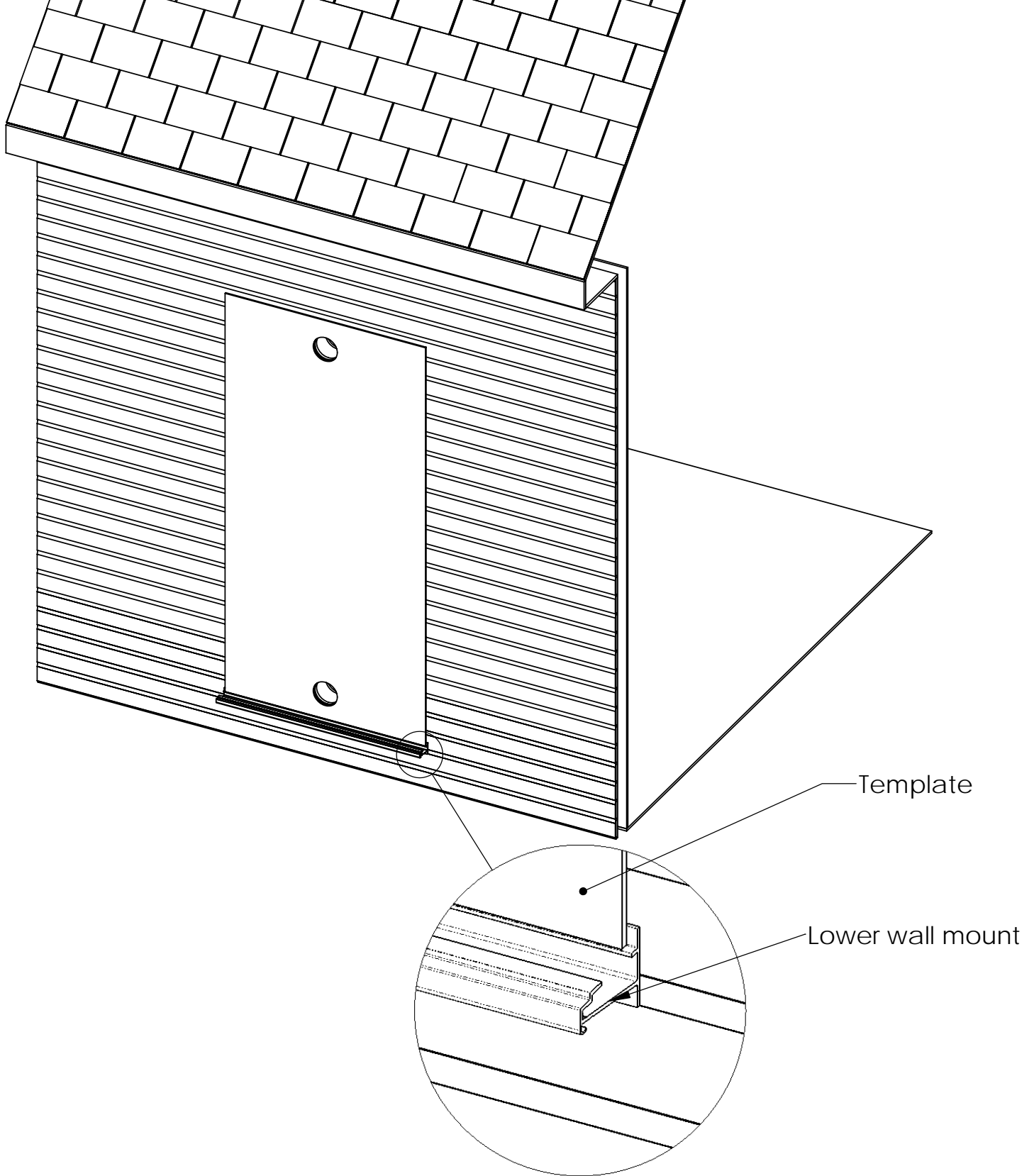
x001



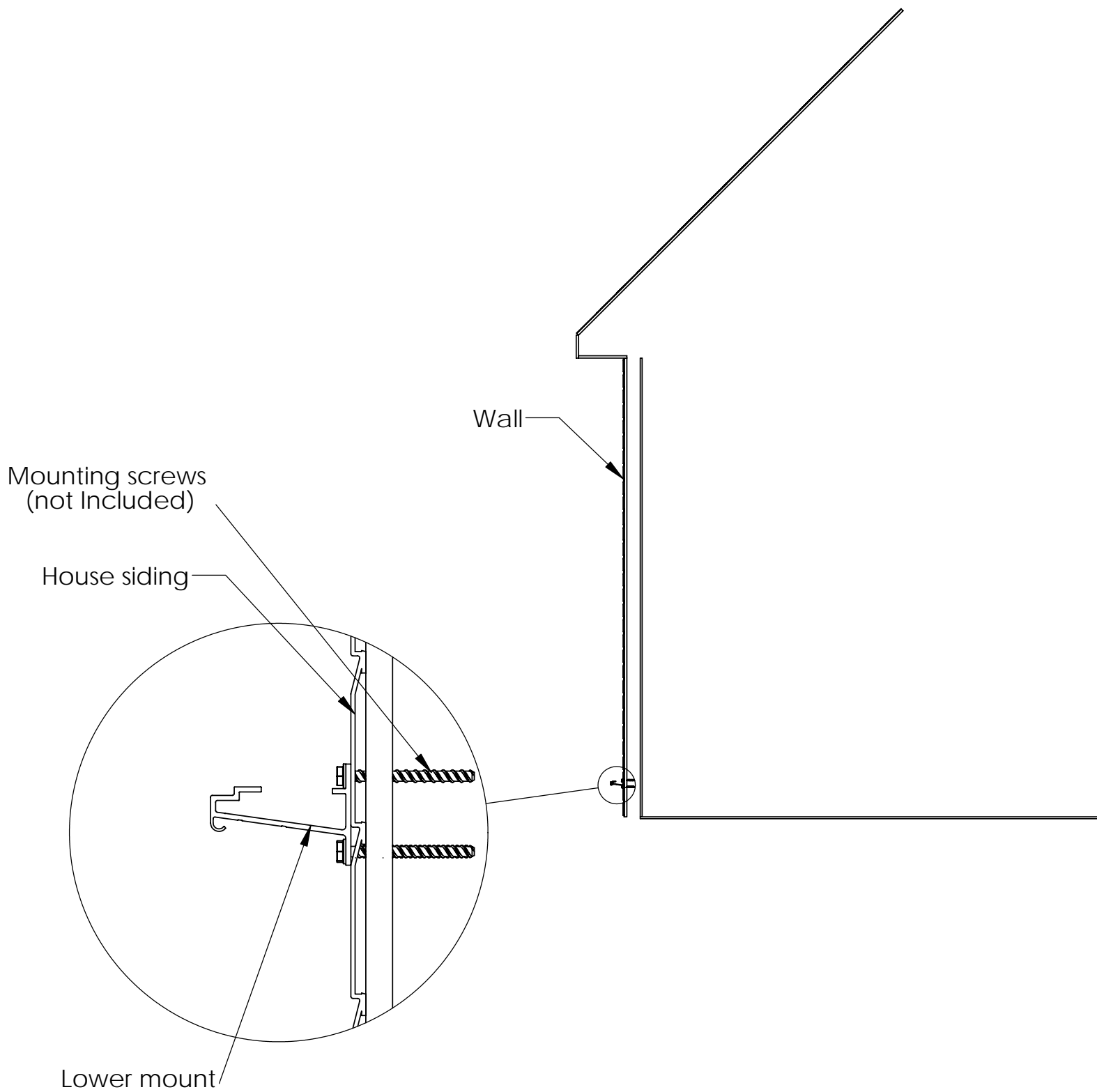
ITEM NO.	PART NUMBER	DESCRIPTION	1017/QTY.
1	d001	5" backdraft damper	1
2	d016	5" aluminum duct	2
3	d006	5" round diffuser	2
4	v004	Foam gasket - 3/4" thick	2
5	v005	Foam gasket - 1/2" thick	2
6	d003	4"/5" adapter collar	2
7	e027	thermostat	1
N/A	x001	SolarSheat 1500G Wall Installation Manual	1
N/A	x010	Duct kits - Packing List	1



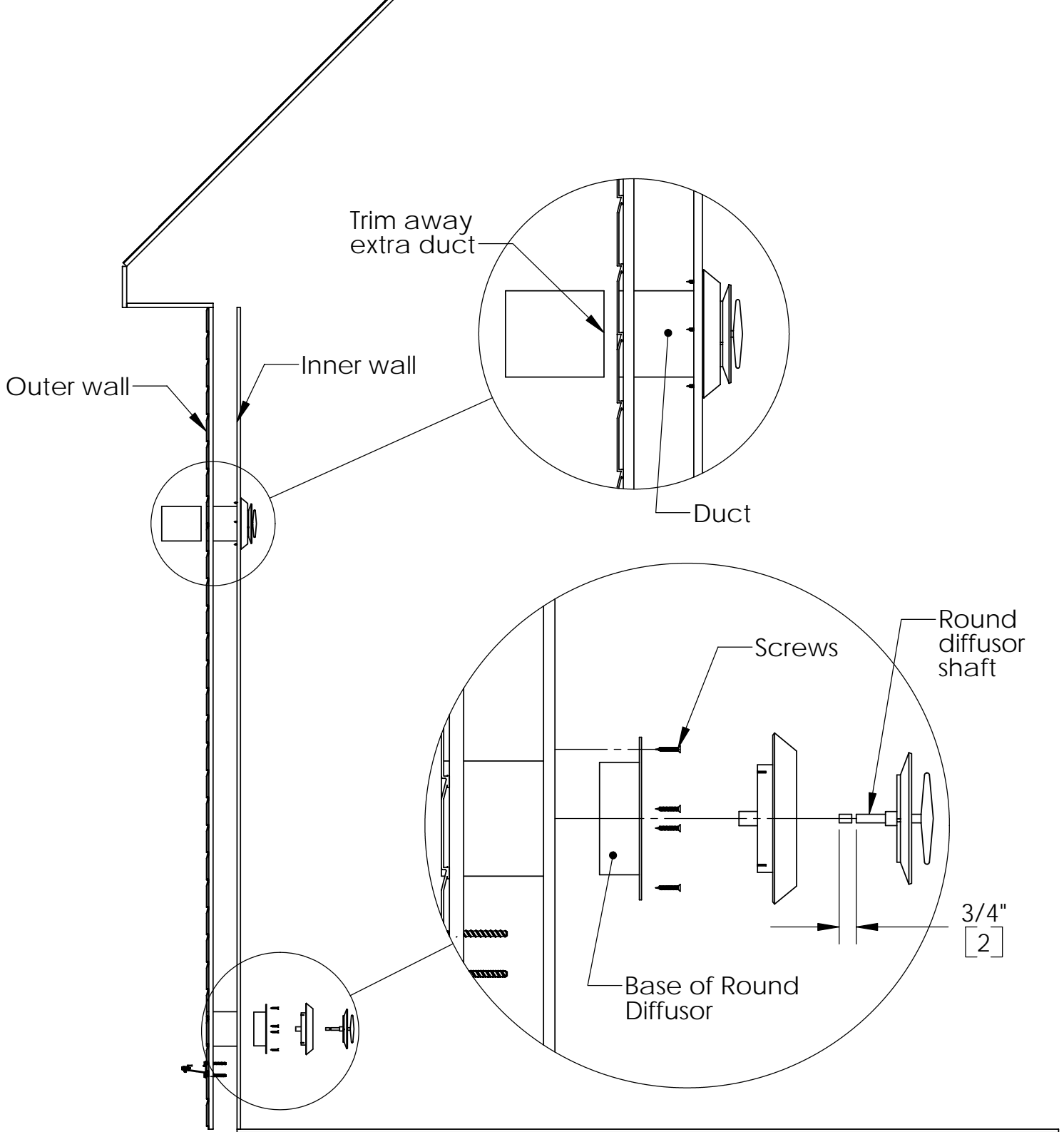
1. Locate SolarSheat duct holes
 The collector can be installed "landscape" style as well as "portrait"
 Do not locate the exhaust (supply) below the intake (return) duct
 Avoid electrical wires, plumbing, & gas piping!
 Level the template.
2. Tape or staple template temporarily to the wall



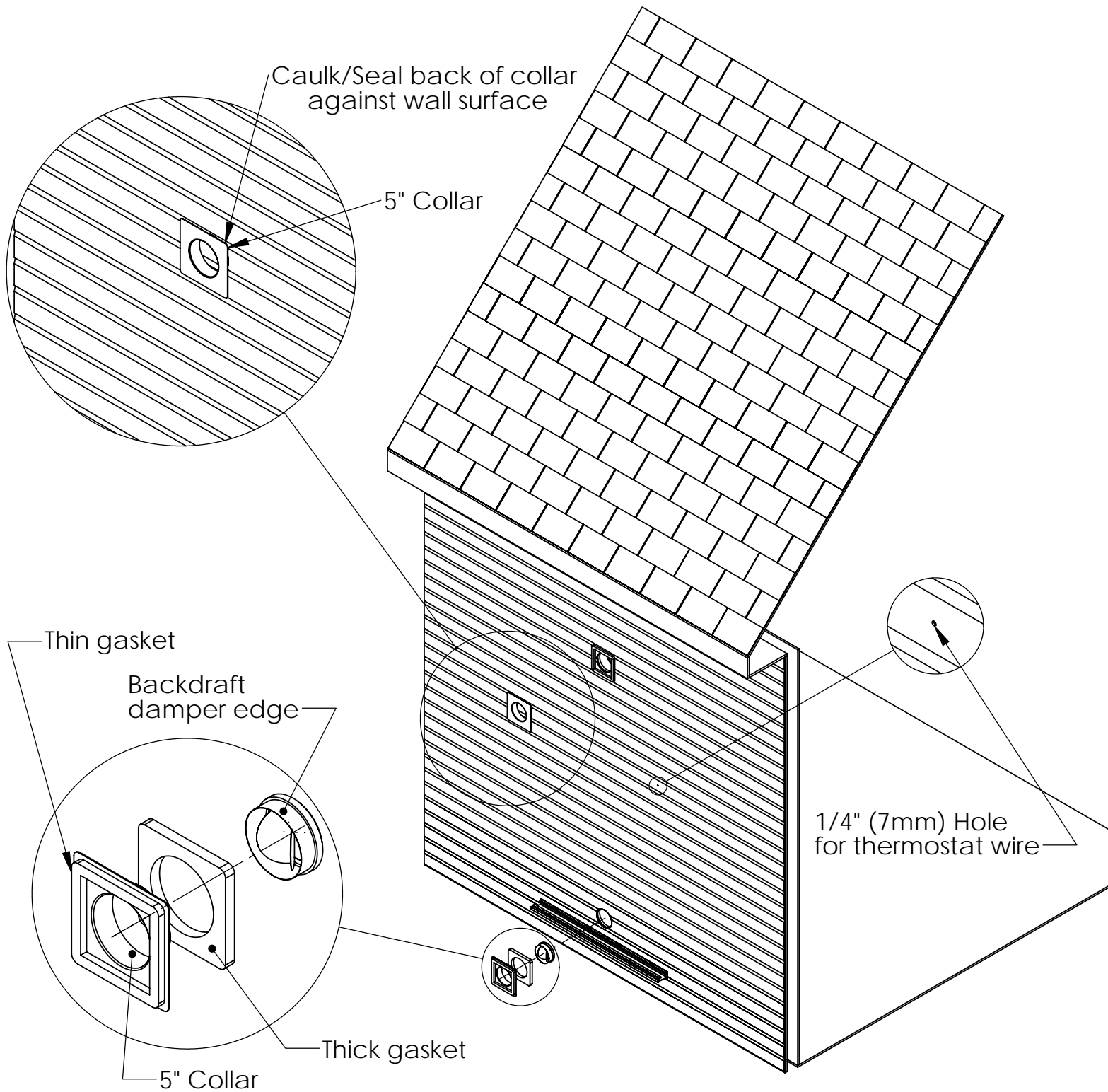
3. Drill pilot holes through the template & entire wall with a long drill bit.
4. Cut 5-1/8" to 5-1/4" duct holes through the template & wall, preferably with a hole saw, or a jig saw.
5. Cut matching holes in the insulation in the back of the collector using a knife.
6. Place the lower wall mount below the template (as shown).
Centered the mount below the template.



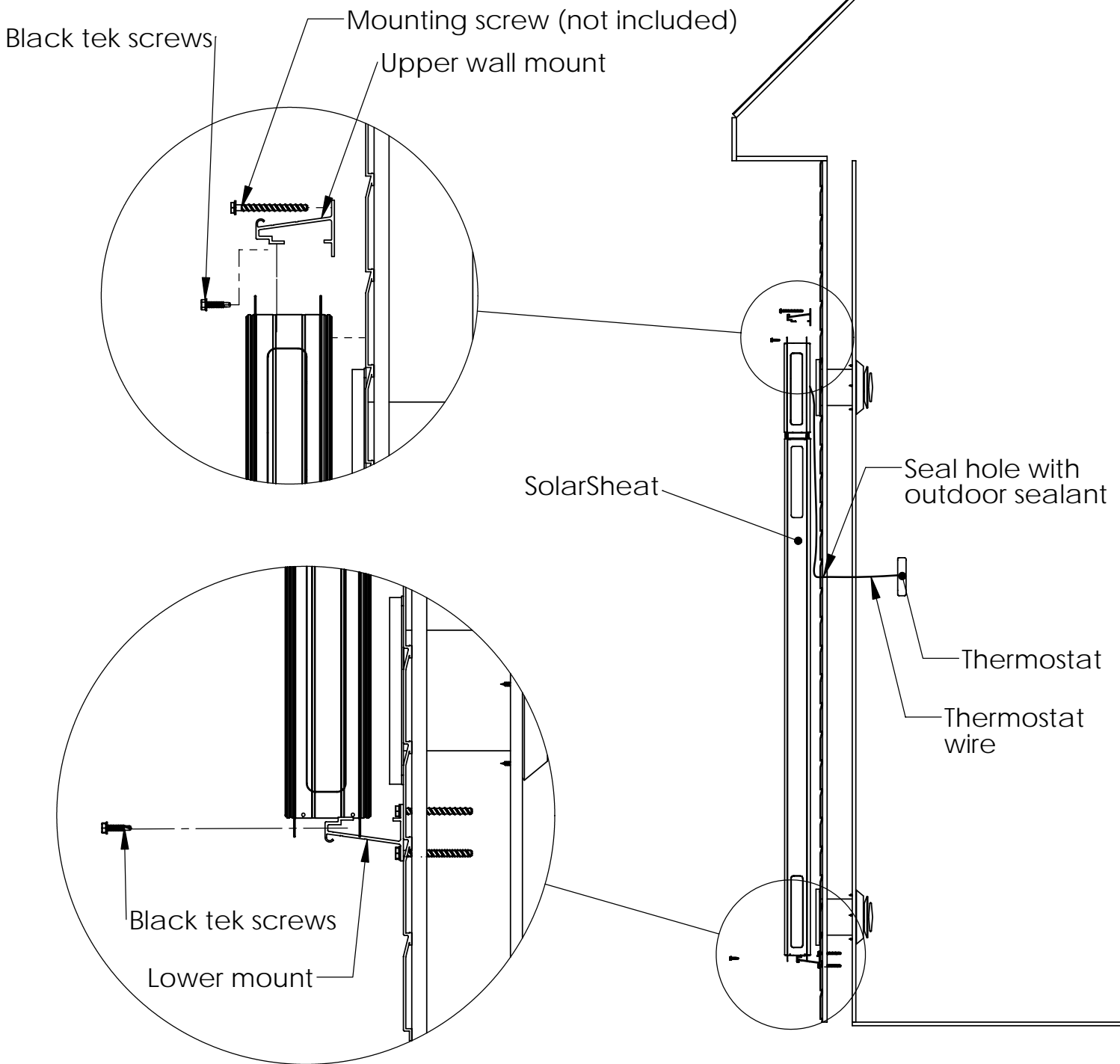
7. Drill holes through mount for mounting screws (not included)
8. Screw lower mount to wall
Choose appropriate mounting screws for wall material



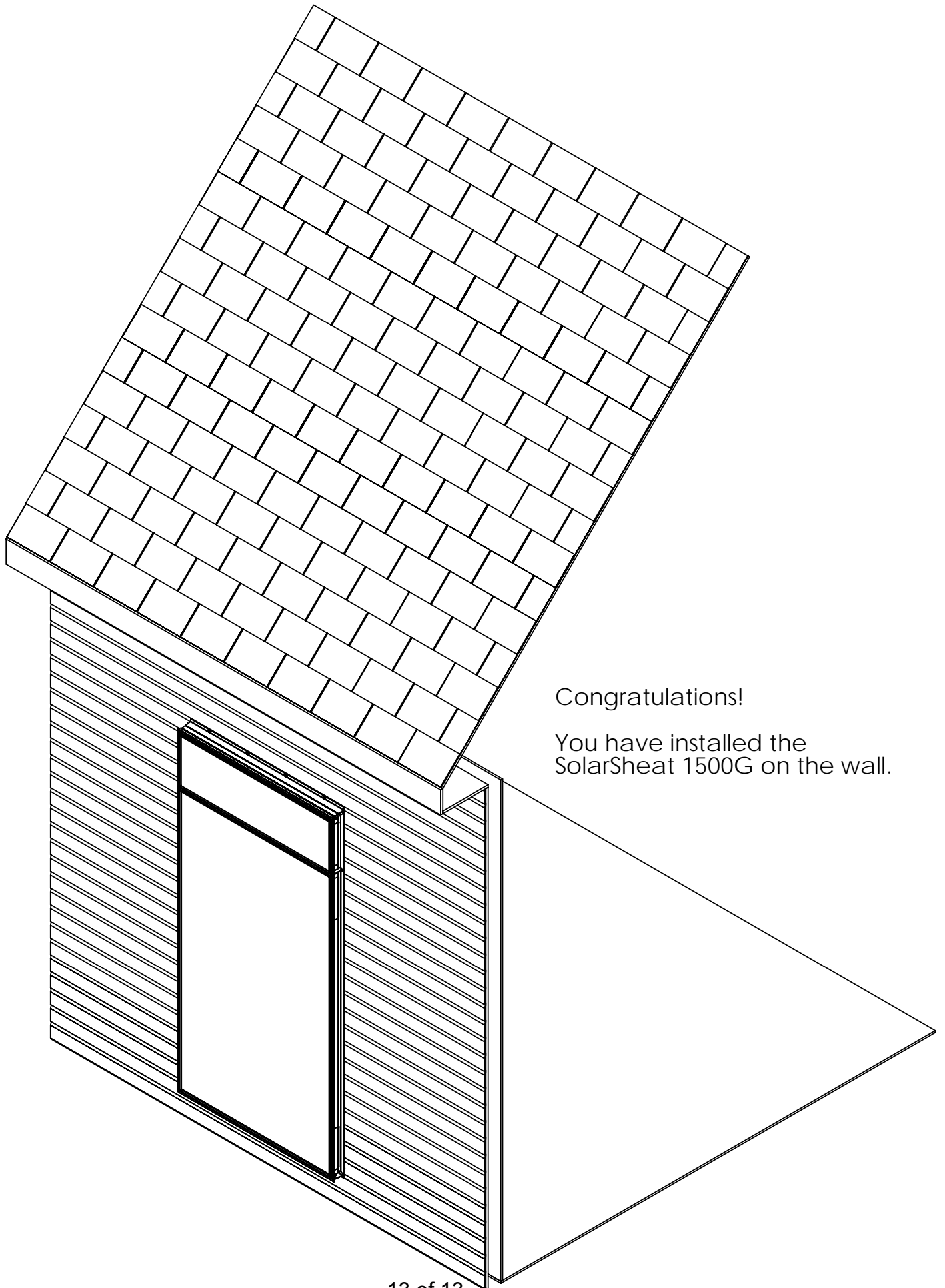
9. Temporarily insert ducts (included) into the wall
10. Mark where to cut the duct
11. Trim away excess duct & put them back into the wall
12. Seal any gap around the duct with sealant or spray foam insulation.
13. For 4" (10 cm) thick walls, and for round diffusers in the lower duct (the air intake)
Trim 3/4" (2 cm) off the end of the diffuser shaft (as shown).
This will allow additional clearance for the backdraft damper.
14. Install round diffuser into ducts (as shown above).



15. Apply thick and thin gasket seals onto collars as shown
16. For approximately 4" (10 cm) thick walls,
Crimp the edge of the backdraft damper.
Insert crimped edge into 5" collar
This will allow additional clearance for adjustment of the round diffuser.
17. Insert backdraft damper into lower duct
18. Insert the 5" collars and insert them into the ducts.
19. Drill 1/4" hole through the wall at the desired location for the thermostat
Do not locate hole so that the thermostat will be in direct sunlight inside the building



20. Screw upper mount to SolarSheat using black tek screws
21. Drill holes in upper mount for mounting screws
22. Mount SolarSheat to wall
 - Run thermostat wire through hole
 - Seal around thermostat wire with outdoor sealant
 - Screw upper wall mount to wall (as shown)
 - Screw SolarSheat to lower mount using black tek screws
23. Install Thermostat
 - Connect the Red or Black wire to the RH terminal
 - Connect the White wire to the W terminal



Congratulations!
You have installed the
SolarSheat 1500G on the wall.